

Feature

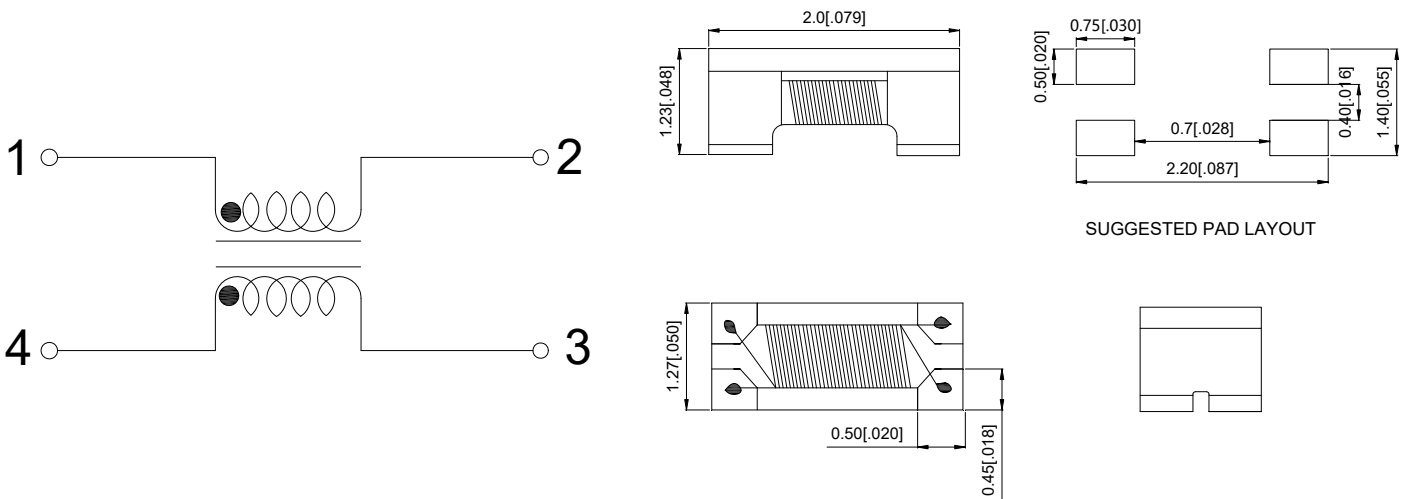
- High common mode impedance at high frequency effects excellent noise suppression performance
- Comply with RoHS requirements.
- Operating temperature range:-40°C to +125°C.
- Storage temperature range: -40°C to +125°C.

Electrical Specifications @ 25°C

Common Mode Impedance	800 ± 25%(Ω)@100MHZ
D.C.R:	0.88 Typ
Rated Current:	300mA
Rated Volt:	50Vdc
Withstand Volt:	125Vdc Max
IR	10MΩ Min

Schematic

Mechanical



1. Unit: mm[inch]

2. Unless otherwise specified, all tolerances are ±0.20[.008]

Common Mode Impedance

