

**Feature**

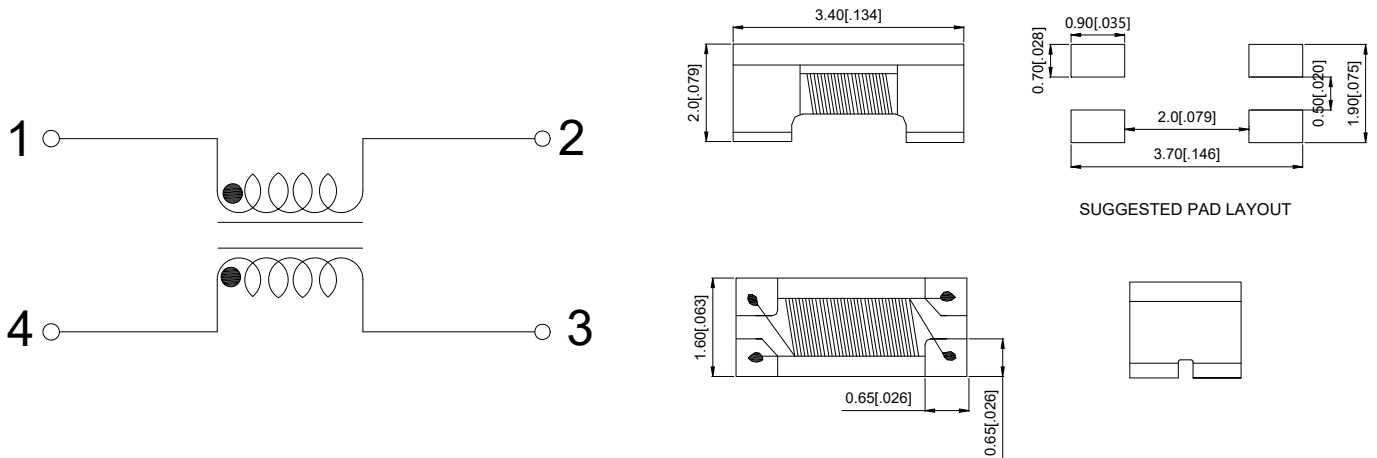
- High common mode impedance at high frequency effects excellent noise suppression performance
- Comply with RoHS requirements.
- Operating temperature range:-40°C to +85°C.
- Storage temperature range: -40°C to +125°C.

**Electrical Specifications @ 25°C**

Inductance:	80-120uH. @100KHz/0.1V
D.C.R:	1.5Ω Max
Capacitance:	12PF Typ. @100KHz/0.2V
Rated Current:	200mA
Rated Volt:	50Vdc
Withstand Volt:	125Vdc Max
IR	10MΩ Min

**Schematic**

**Mechanical**



1. Unit: mm[inch]

2. Unless otherwise specified, all tolerances are ±0.20[.008]

**Common Mode Impedance**

