

Feature

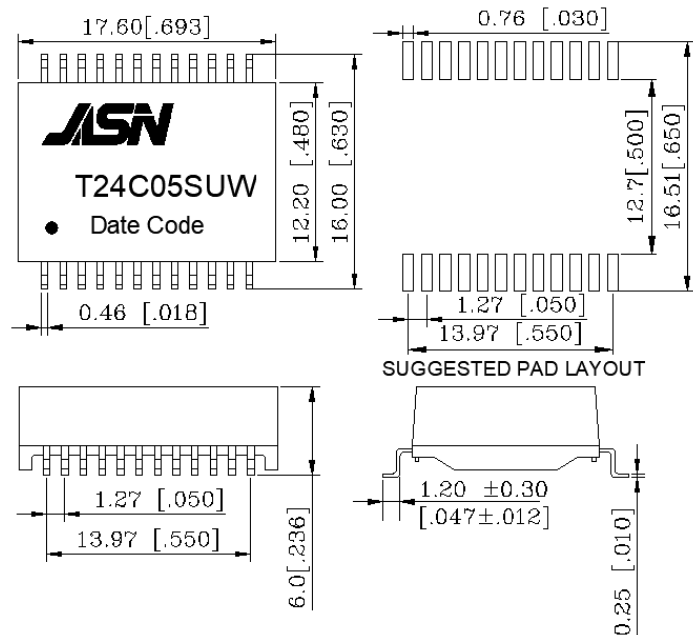
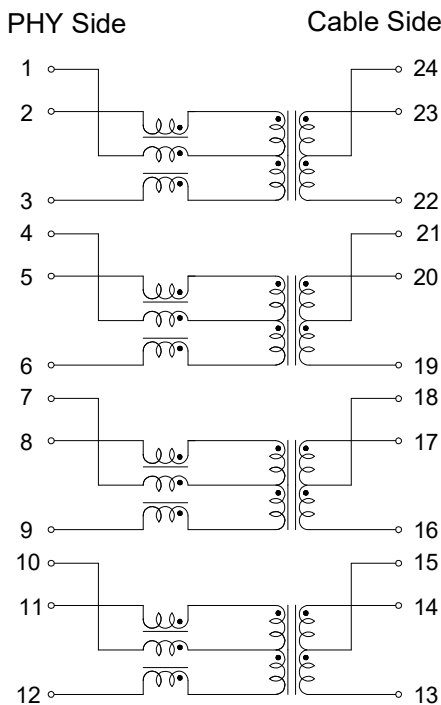
- Compliant with IEEE 802.3an&802.3bt standard..
- Comply with RoHS requirements.
- Designed to support applications up to 1080mA Per centre tap
- Operating temperature range: -40°C to +125°C (90°C MAX, AMBIENT+35°C TEMP, RISE)
- Storage temperature range: -40°C to +125°C.

Electrical Specifications @ 25°C

OCL:	120uH Min. @100KHz/0.1V,with 15mA DC Bias(-40°C to +125°C)
Hi-POT :	1500Vrms
Turn Ratio:	1CT:1CT±3%
D.C.R:	1.0 ohm Max
Insertion Loss:	-3.0dB Max @100KHz
	-2.0dB Max @1-400MHz
	-3.0dB Max @500MHz
Return Loss:	-18dB Min @1-40MHz
	-17+10log(f/40)dB Min @40-500MHz
Cross Talk :	-40dB Min @1-100MHz
	-30dB Min @100-500MHz
CMRR:	-30dB Min @1-250MHz
	-22dB Min @250-500MHz

Schematic

Mechanical



1.Unless otherwise specified, all tolerances are ±0.25[.01]

2.Coplanarity:0.1[.004]