

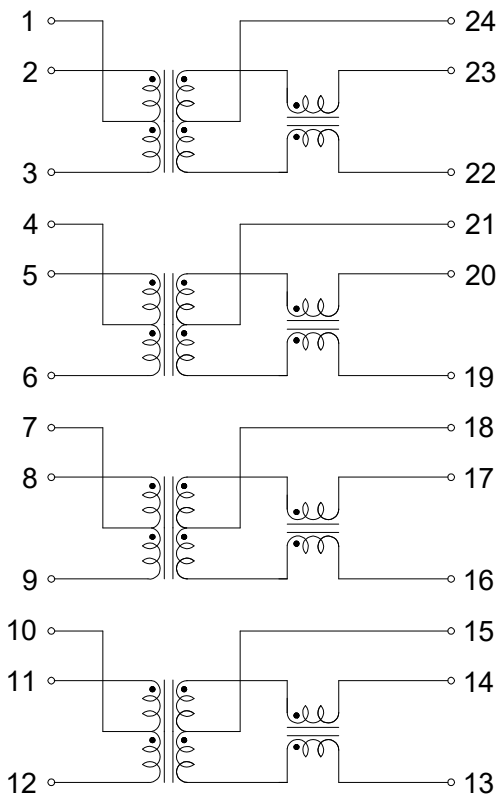
### Feature

- Comply with IEEE802.3an
- Comply with RoHS requirements.
- Operating temperature range: -40°C to +85°C.
- Storage temperature range: -40°C to +105°C.

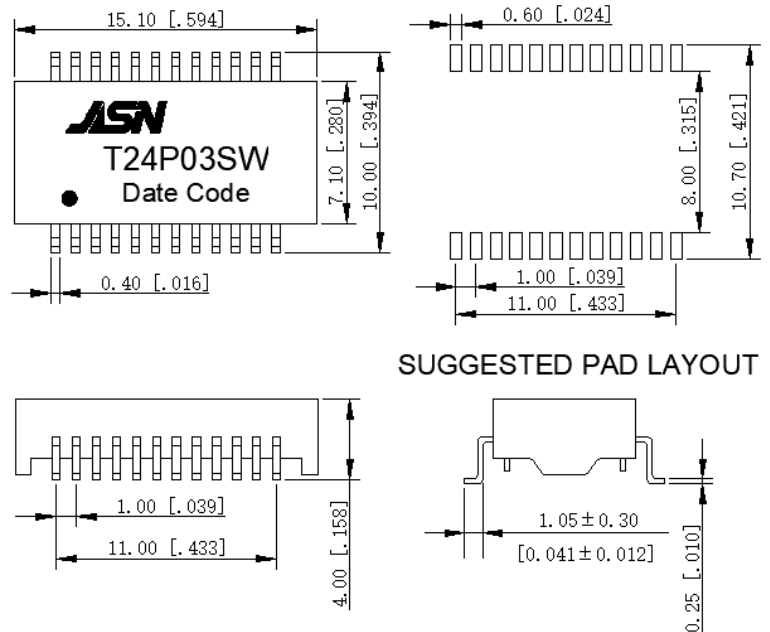
### Electrical Specifications @ 25°C

OCL:	150uH Min. @100KHz/0.1V		
Hi-POT :	1500Vrms		
Turn Ratio:	1:1±3%		
LK:	0.5uH Max @100KHz/0.2V		
Cw/w	18PF Max @100KHz/0.2V		
D.C.R:	0.6 ohm Max		
Insertion Loss:	1-200MHz	200-400MHz	400-500MHz
	-1dB Max	-2dB Max	-3dB Max
Cross Talk :	1-500MHz: -30dB Min		
Return Loss:	1-200MHz	200-300MHz	300-400MHz
	-16dB Min	-14dB Min	-11dB Min
		400-500MHz	-9dB Min

### Schematic



### Mechanical



- 1.Unless otherwise specified, all tolerances are ±0.25[01]
- 2.Coplanarity:0.1[004]
- 3.Unit mm