

Feature

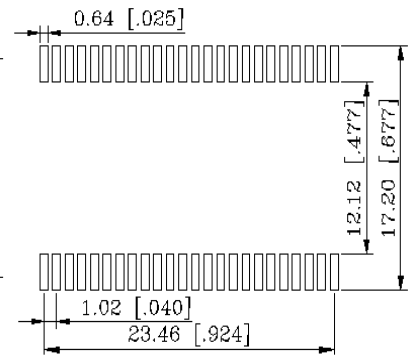
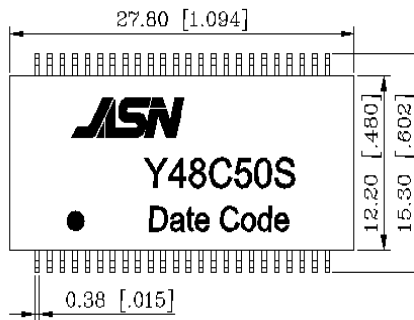
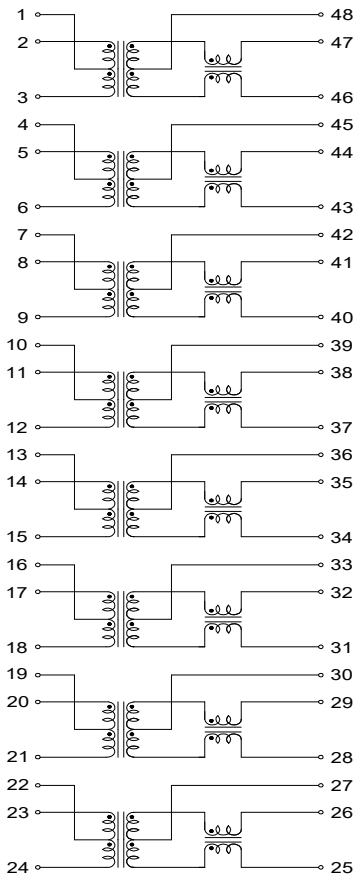
- Comply with IEEE802.3bz.
- Comply with RoHS requirements.
- Operating temperature range: 0°C to +70°C
- Storage temperature range: -25°C to +125°C.

Electrical Specifications @ 25°C

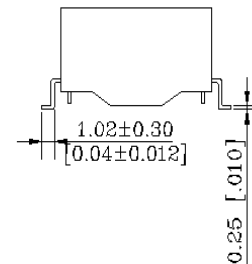
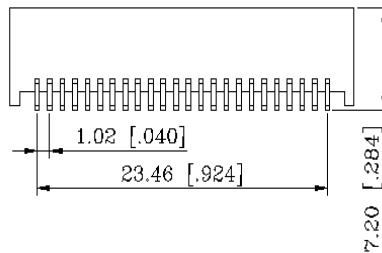
| | |
|-----------------|------------------------------------|
| OCL: | 180uH Min. @100KHz/0.1V |
| Hi-POT : | 1500Vrms |
| Turn Ratio: | 1:1±3% |
| D.C.R: | 1.0 ohm Max |
| Insertion Loss: | -1.0dB Max@1-100MHz |
| | -2.5dB Max@100-250MHz |
| Cross Talk : | -30dB Min@1-250MHz |
| | -25dB Min@125-250MHz |
| CMRR: | -30dB Min@1-125MHz |
| | -25dB Min@125~250MHz |
| Return Loss: | -16dB Min @1-40MHz |
| | -16+10log(f/40MHz)dB Min@40-250MHz |

Schematic

Mechanical



SUGGESTED PAD LAYOUT



1. Unless otherwise specified, all tolerances are ±0.25[.01]
2. Coplanarity: 0.1[.004]
3. Unit mm[inch]