

### Feature

- Compliant with IEEE 802.3bz&802.3at standard.
- Comply with RoHS requirements.
- Suitable for End-span PoE applications with 720mA current capability.
- Operating temperature range: 0°C to +70°C.
- Storage temperature range: -25°C to +105°C.

### Electrical Specifications @ 25°C

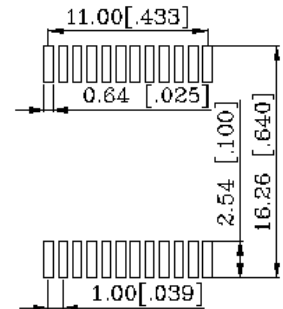
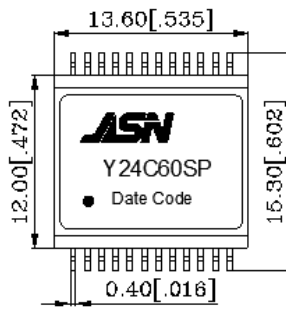
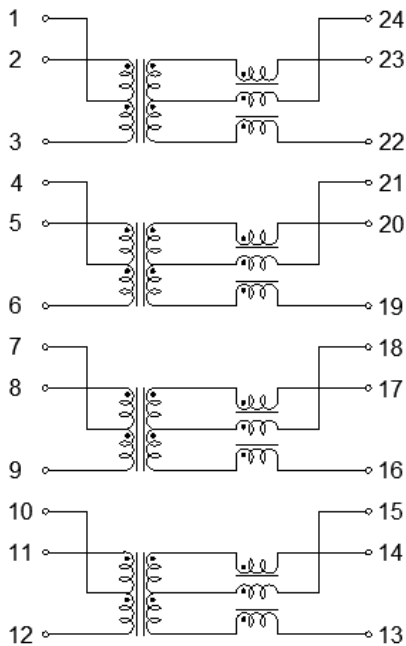
OCL:	150uH Min. @100KHz/0.1V with 10.8mA DC Bias			
Hi-POT :	1500Vrms			
Turn Ratio:	1CT:1CT±3%			
D.C.R:	1.0 ohm Max			
Insertion Loss:	-1.0dB Max@1-100MHz			
	-1.8dB Max@100-250MHz			
Return Loss:	@1-40MHz	@40-100MHz	@100-125MHz	@125-250MHz
	-18dB Min	-12dB Min	-11dB Min	-9dB Min
Cross Talk :	@30MHz	@100MHz	@250MHz	
	-35dB Min	-30dB Min	-28dB Min	
DCMR:	@30MHz	@100MHz	@250MHz	
	-35dB Min	-30dB Min	-25dB Min	

### Schematic

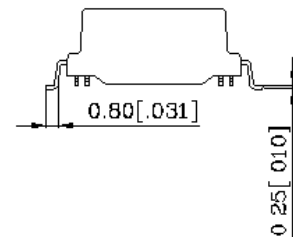
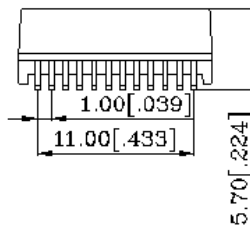
### Mechanical

PHY Side  
(Primary)

Line Side  
(Secmary)



SUGGESTED PAD LAYOUT



1. Unit: mm[inch]

2. Unless otherwise specified, all tolerances are ±0.25[.01]