

### Feature

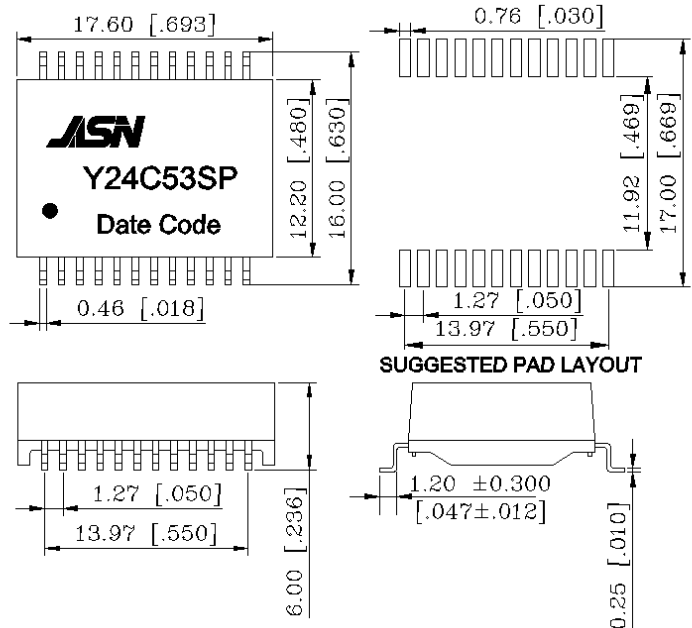
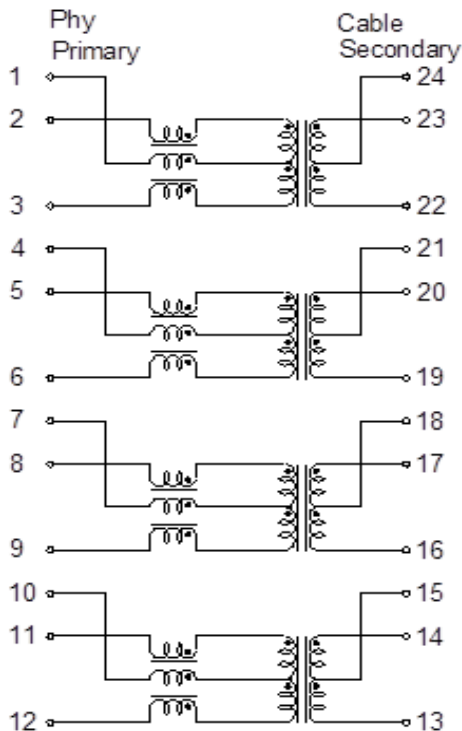
- Comply with IEEE802.3bz&at.
- Comply with RoHS requirements.
- Suitable for End-span PoE applications with 720mA current capability
- Operating temperature range: 0°C to +70°C.
- Storage temperature range: -25°C to +105°C

### Electrical Specifications @ 25°C

OCL:	180uH Min. @100KHz/0.1V with 8mA DC Bias
Hi-Pot :	1500Vrms
Turns Ratio:	1CT:1CT±3%
D.C.R:	1.0 ohm Max
Insertion Loss:	-1.0dB Max@1-100MHz
	-2.0dB Max@100-250MHz
Return Loss:	-16dB Min @1-40MHz
	-16+10log(f/40)dB Min@40-250MHz
Cross Talk :	-30dB Min@1-125MHz
	-25dB Min@125-250MHz
CMRR:	-30dB Min@1-125MHz
	-25dB Min@125-250MHz

### Schematic

### Mechanical



1. Unless otherwise specified, all tolerances are ±0.25[01]
2. Coplanarity: 0.1[0.004]
3. Unit mm[inch]