

Feature

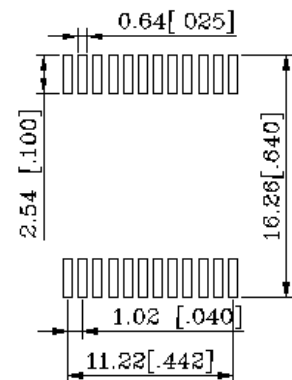
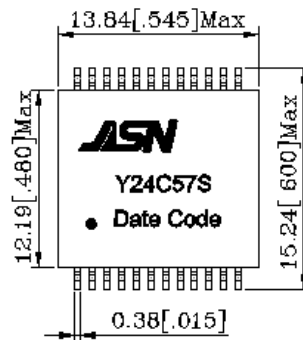
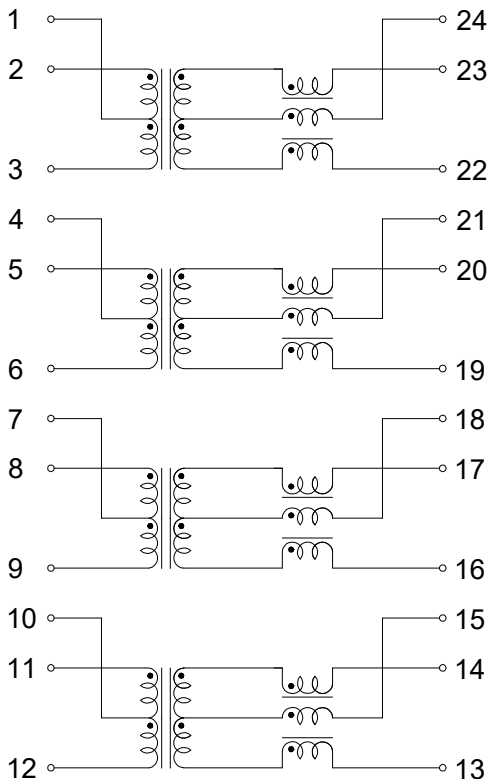
- Comply with IEEE802.3bz
- Comply with RoHS requirements.
- Operating temperature range: 0°C to +70°C.
- Storage temperature range: -25°C to +125°C.

Electrical Specifications @ 25°C

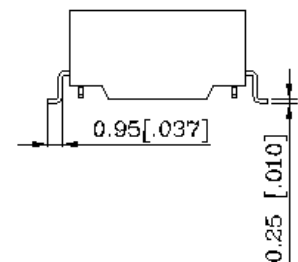
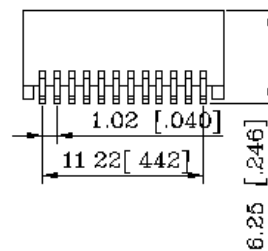
OCL:	180uH Min. @100KHz/0.1V
Hi-POT :	1500Vrms
Turn Ratio:	1:1±3%
D.C.R:	1.0 ohm Max
Insertion Loss:	-1.0dB Max@1-100MHz
	-2.0dB Max@100-250MHz
Cross Talk :	-30dB Min@1-125MHz
	-25dB Min@125-250MHz
CMRR:	-30dB Min@1-125MHz
	-25dB Min@125~250MHz
Return Loss:	-16dB Min @1-40MHz
	-16+10log(f/40MHz)dB Min@40-250MHz

Schematic

Mechanical



SUGGESTED PAD LAYOUT



- 1.Unless otherwise specified, all tolerances are ±0.25[.01]
- 2.Coplanarity:0.1[.004]
- 3.Unit mm[inch]