

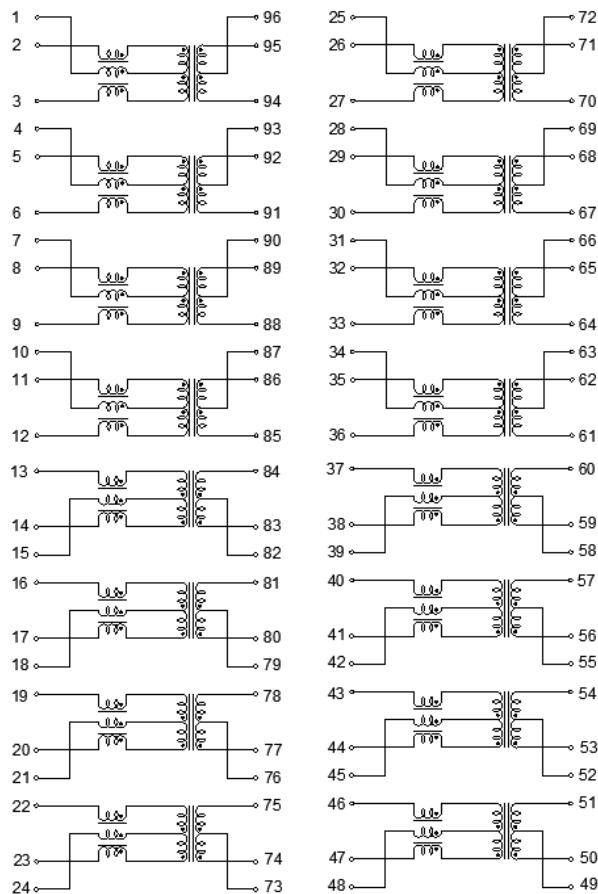
Feature

- Comply with IEEE802.3bz&802.3bt
- Comply with RoHS requirements.
- Suitable for PoE application with 720mA current capability
- Operating temperature range: 0°C to +70°C.
- Storage temperature range: -25°C to +105°C.

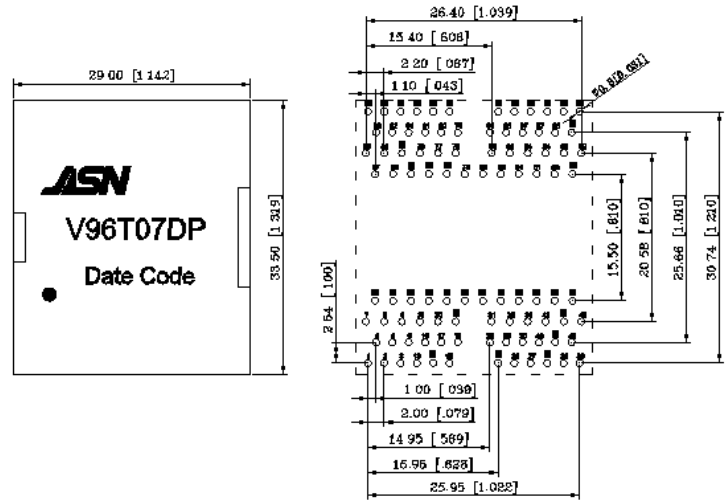
Electrical Specifications @ 25°C

OCL:	180uH Min. @100KHz/0.1V with 8mA DC Bias		
Hi-Pot :	1500Vrms		
Turns Ratio:	1CT:1CT±3%		
D.C.R:	1.0 ohm Max		
Insertion Loss:	@1-50MHz	@50-125MHz	@125-200MHz
	-0.5dB Max	-1.0dB Max	-2.0dB Max
Return Loss:	-20dB Min @1-40MHz		
	-20+15log(f/40)dB Min@40-200MHz		
Cross Talk :	-30dB Min@1-125MHz		
CMRR:	-30dB Min@1-125MHz		

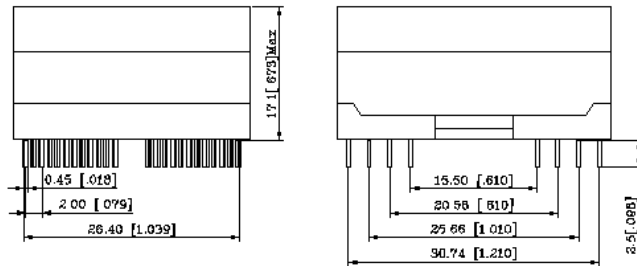
Schematic



Mechanical

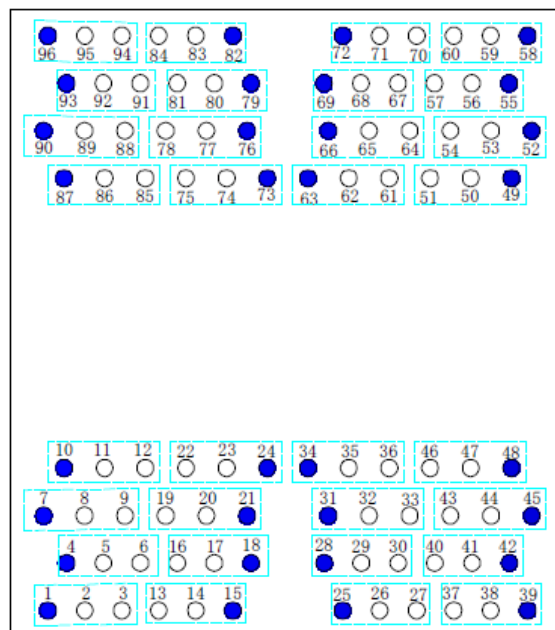


SUGGESTED PCB LAYOUT



Unless otherwise specified, all tolerances are ± 0.25

PCB Layout mounting Hole(Top View)



Blue : Center Tap