

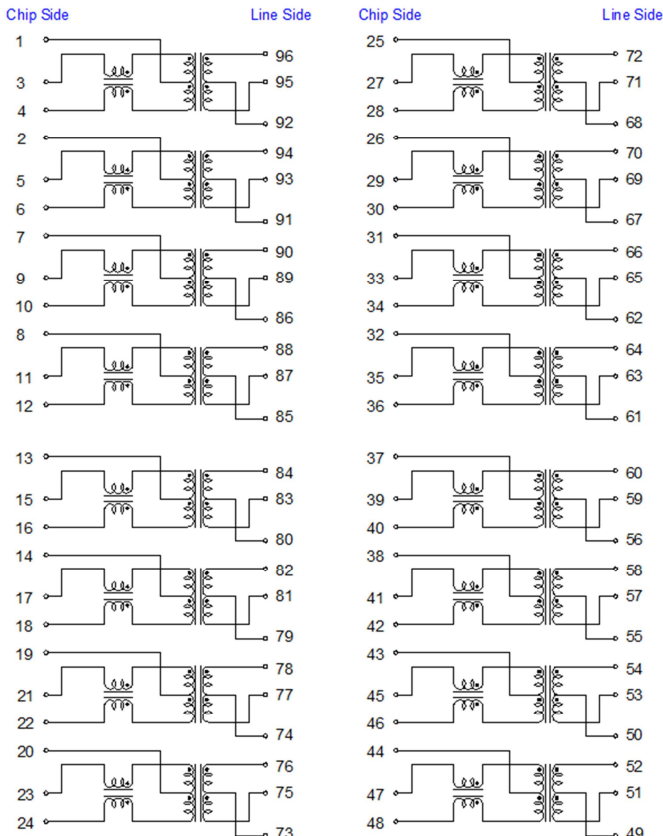
### Feature

- Comply with R0HS requirements.
- Comply with IEEE802.3bz
- Operating temperature range: 0°C to +70°C.
- Storage temperature range: -25°C to +125°C.

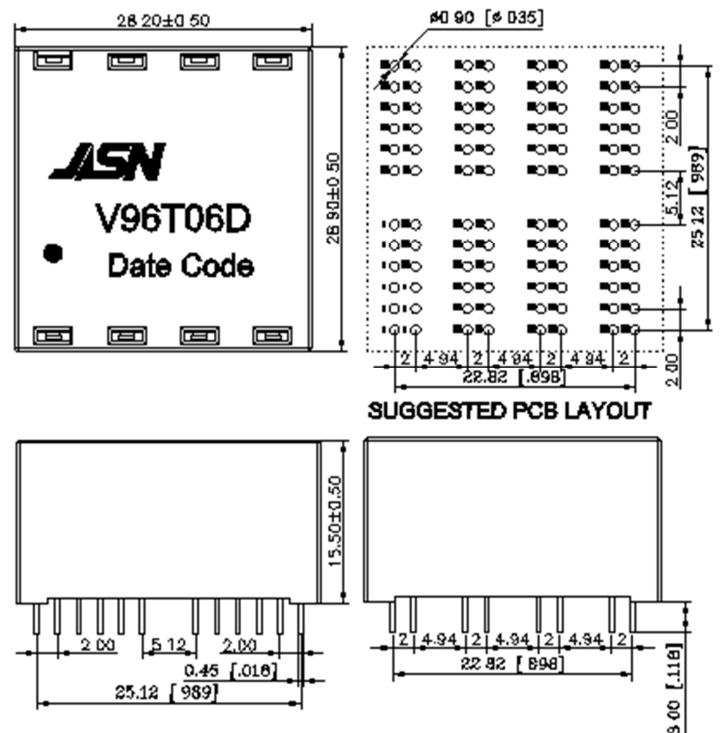
### Electrical Specifications @ 25°C

OCL:	150uH Min. @100KHz/0.1V	
Hi-Pot:	1500Vrms	
Turn Ratio:	1:1±2%	
LK:	0.5uH Max @100KHz/0.2V	
Cw/w	35pF Max @100KHz/0.2V	
D.C.R:	1.0 ohm Max	
Insertion Loss:	1-100MHz	100-200MHz
	-1.0dB Max	-2dB Max
Return Loss:	1-40MHz	40-250MHz
	-16dB Min	-16+10log (f/40) Min
Cross Talk :	1-200MHz: :-25dB Min	
CMRR:	1-200MHz: -20dB Min	

### Schematic



### Mechanical



Unless otherwise specified, all tolerances are ±0.25mm