

### Feature

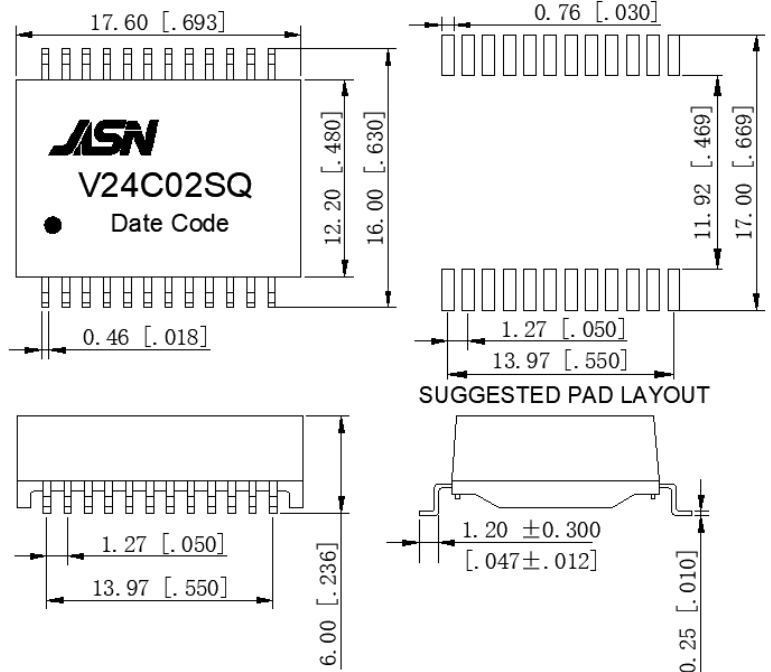
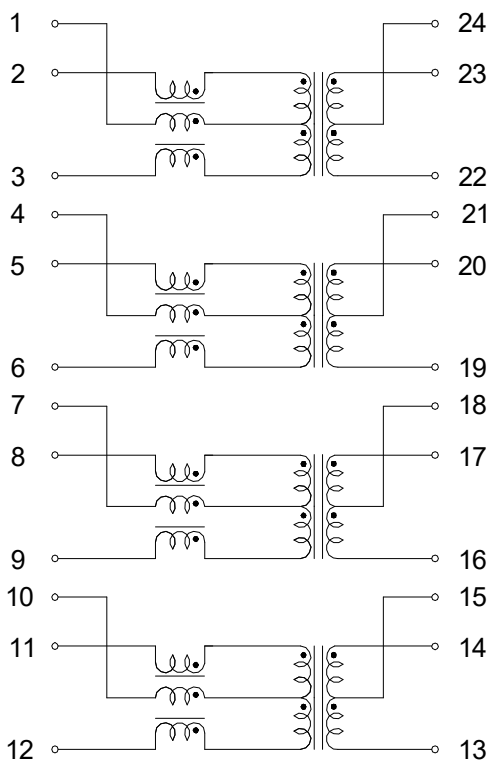
- Comply with IEEE802.3bz&802.3bt.
- Comply with RoHS requirements.
- Suitable for End-span PoE applications with 720mA current capability
- Operating temperature range: -40°C to +85°C.
- Storage temperature range: -40°C to +125°C.

### Electrical Specifications @ 25°C

OCL:	120uH Min. @100KHz/0.1V with 12.5mA DC Bias
Hi-Pot :	1500Vrms
Turns Ratio:	1CT:1CT±3%
D.C.R:	1.0 ohm Max
Insertion Loss:	-1.0dB Max@1-100MHz
	-1.5dB Max@100-125MHz
Return Loss:	-16dB Min @1-40MHz
	-16+10log(f/40)dB Min@40-250MHz
Cross Talk :	-30dB Min@1-125MHz
CMRR:	-30dB Min@1-125MHz

### Schematic

### Mechanical



1. Unit: mm[inch]
2. Unless otherwise specified, all tolerances are ±0.25[.01]
3. Coplanarity:0.1[.004]Max