

Feature

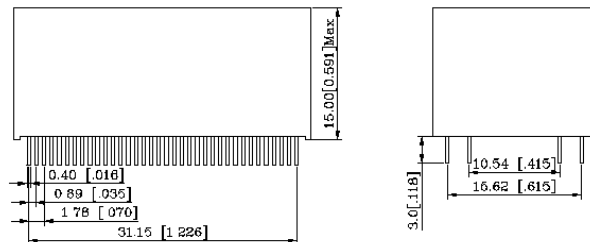
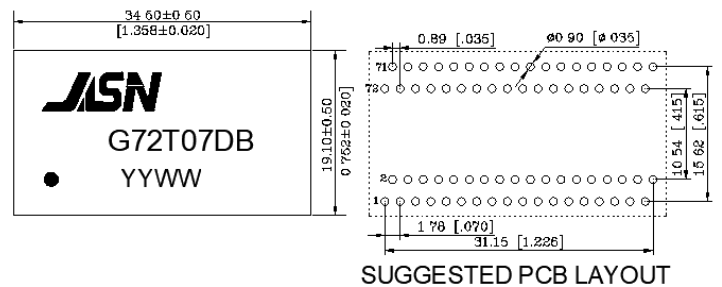
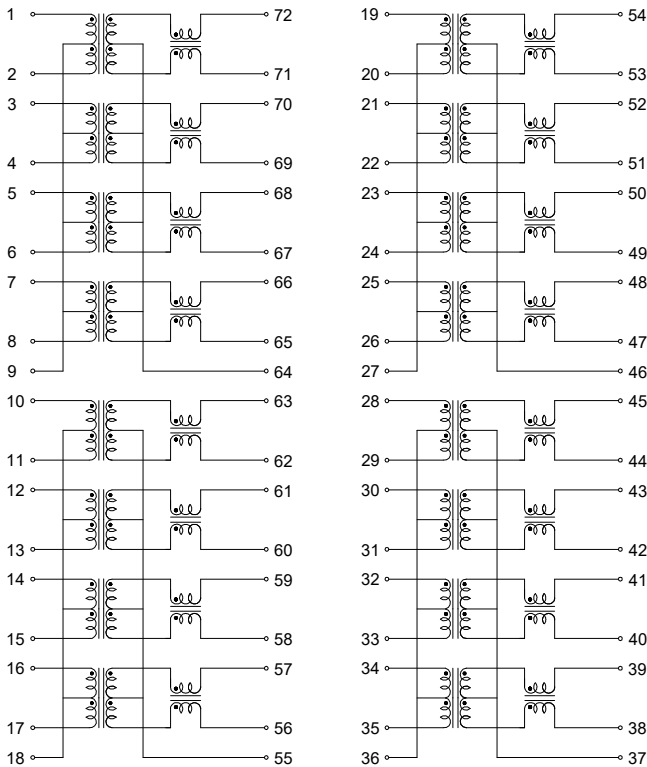
- Compliant with IEEE 802.3ab standard.
- Comply with RoHS requirements.
- Operating temperature range: 0°C to +70°C.
- Storage temperature range: -20°C to +125°C.

Electrical Specifications @ 25°C

| | | | | | |
|-----------------|------------------------------------------|-------------|-------------|-----------|-----------|
| OCL: | 350uH Min. @100KHz/0.1V with 8mA DC Bias | | | | |
| Hi-POT : | 1500VAC 1mA 2S | | | | |
| Turn Ratio: | 1:1±2% | | | | |
| LK: | 0.5uH Max @100KHz/0.2V | | | | |
| Cw/w | 120pF Max @100KHz/0.2V | | | | |
| D.C.R: | 1.4 ohm Max | | | | |
| Insertion Loss: | 1-100MHz: -1.0dB Max | | | | |
| Cross Talk : | 1-100MHz: -30dB Min | | | | |
| Return Loss: | 1-30MHz | 40MHz | 50MHz | 60-80MHZ | 80-100MHZ |
| | -18dB Min | -14.4dB Min | -13.1dB Min | -12dB Min | -10dB Min |

Schematic

Mechanical



1. Unit: mm[inch]
2. Unless otherwise specified, all tolerances are ±0.25[.01]