

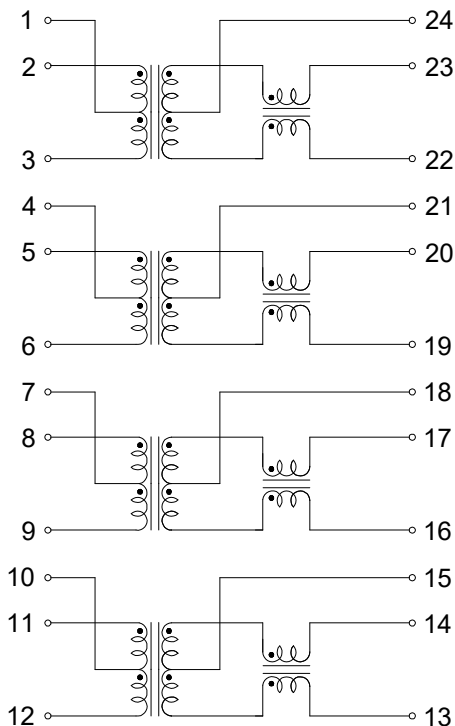
Feature

- Compliant with IEEE 802.3ab standard.
- Comply with RoHS requirements.
- Operating temperature range: 0°C to +70°C.
- Storage temperature range: -25°C to +125°C.

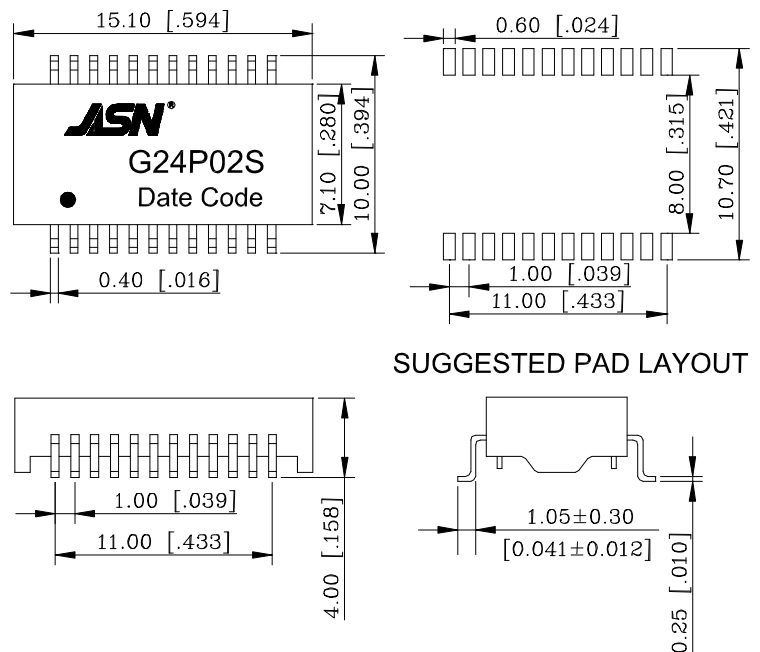
Electrical Specifications @ 25°C

| | | | | | |
|-----------------|--|-------------|-------------|-----------|-----------|
| OCL: | 350uH Min. @100KHz/0.1V with 8mA DC Bias | | | | |
| Hi-POT : | 1500Vrms | | | | |
| Turn Ratio: | 1:1±3% | | | | |
| LK: | 0.4uH Max @100KHz/0.2V | | | | |
| Cw/w | 30PF Max @100KHz/0.2V | | | | |
| D.C.R: | 1.2 ohm Max | | | | |
| Insertion Loss: | 1-100MHz: -1.0dB Max | | | | |
| Cross Talk : | 30MHz: | 60MHz | | 100MHz | |
| | -45dB Min | -40dB Min | | -35dB Min | |
| Return Loss: | 1-30MHz | 40MHz | 50MHz | 60-80MHZ | 80-100MHZ |
| | -18dB Min | -14.4dB Min | -13.1dB Min | -12dB Min | -10dB Min |

Schematic



Mechanical



Unless otherwise specified, all tolerances are ±0.25