

**Feature**

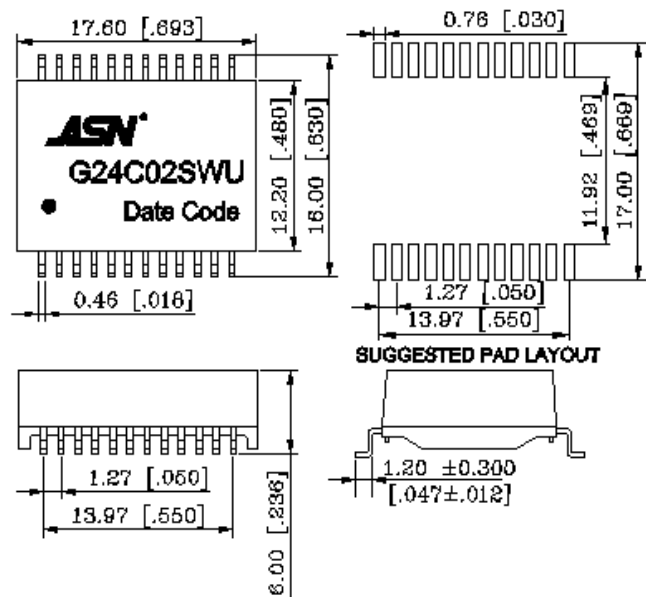
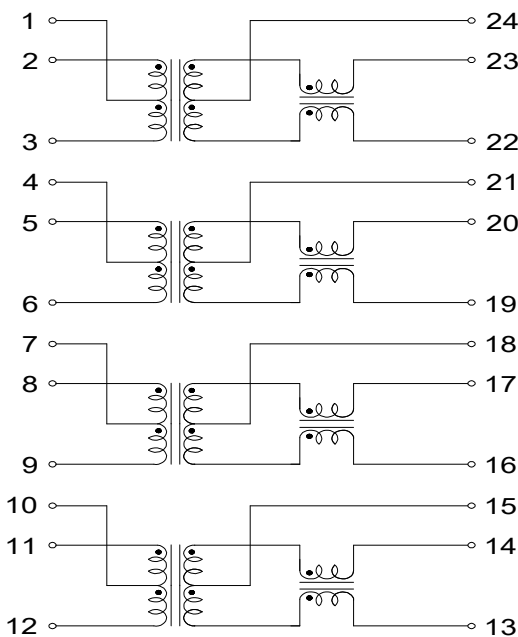
- Compliant with IEEE 802.3ab standard.
- Comply with RoHS requirements.
- Suitable for End-span PoE applications with 720mA current capability.
- Operating temperature range: -40°C to +85°C.
- Storage temperature range: -40°C to +125°C.

**Electrical Specifications @ 25°C**

OCL:	350uH Min. @100KHz/0.1V with 8mA DC Bias(-40~~+105°C)				
Hi-POT :	1500Vrms				
Turn Ratio:	1:1±3%				
LK:	0.5uH Max @100KHz/0.2V				
Cw/w	35PF Max @100KHz/0.2V				
D.C.R:	1.2 ohm Max				
Insertion Loss:	1-100MHz: -1.0dB Max				
CMMR	2MHz		30-200MHz		
	-50dB MIN		-15+20*log (f/200) dB Typ		
DCR(Secondary-half winding)	0.65 Ohms Max				
Cross Talk :	1 MHz		10-100 MHz		
	50dB MIN		-55+22*log (f/10) dB MIN		
Return Loss:	1-30MHz	40MHz	50MHz	60-80MHZ	80-100MHZ
	-18dB Min	-14.4dB Min	-13.1dB Min	-12dB Min	-10dB Min

**Schematic**

**Mechanical**



Unless otherwise specified, all tolerances are ±0.25