

### Feature

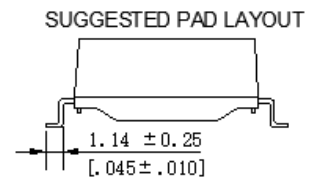
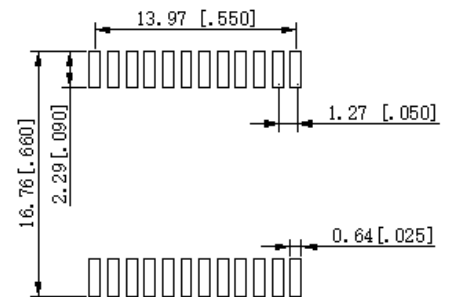
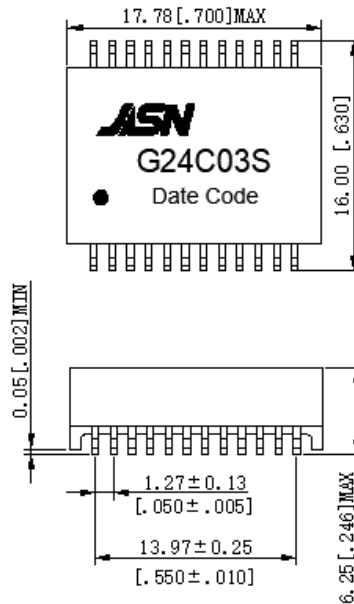
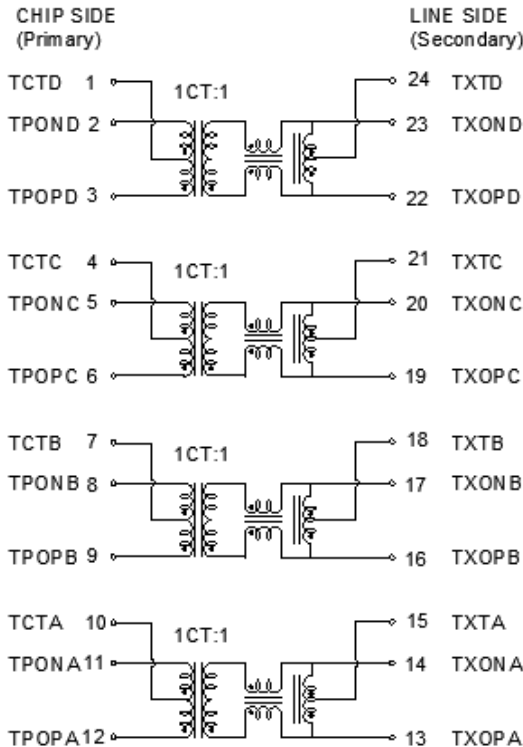
- Compliant with IEEE 802.3ab standard.
- Comply with RoHS requirements.
- Operating temperature: 0°C to +70°C

### Electrical Specifications @ 25°C

Inductance, Ls(Primary)	350uH Min. @100KHz/0.1V with 8mA DC Bias			
Turn Ratio(Primary):(Secondary):	1CT:1CT±2%			
Polarity(Primary):Secondary)	Per Schematic			
Insertion Loss:	1-100MHz: -1.0dB Max			
Return Loss:	1-30MHz	40MHz	50MHz	60-80MHZ
	-18dB Min	-14.5dB Min	-13.1dB Min	-12dB Min
Cross Talk(between channels)	30MHz	60MHz	100MHz	
	-45dB Min	-40dB Min	-35dB Min	
CMRR;	-35dB Min@0.1-100MHz			
Hi-Pot (Primary):(Secondary)	1500Vrms 60s			

### Schematic

### Mechanical



1. Unless otherwise specified, all tolerances are ±0.25[.01]
2. Unit: mm[inch]
3. Coplanarity 0.1[.004]Max