

**Feature**

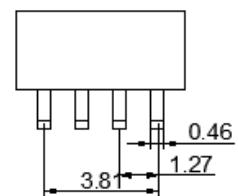
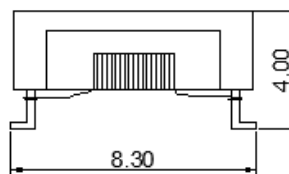
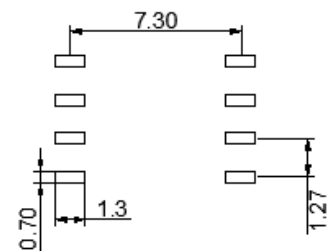
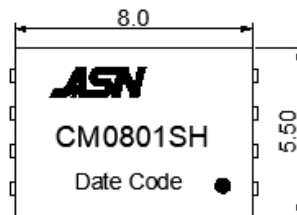
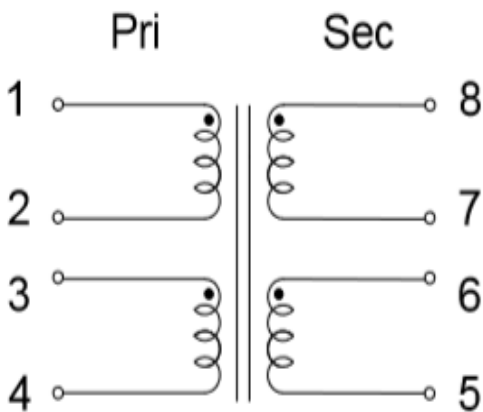
- Comply with RoHS requirements.
- Operating temperature range: -40°C to +85°C.
- Storage temperature range: -55°C to +105°C.

**Electrical Specifications @ 25°C**

|              |   |
|--------------|---|
| OCL:         | 1-2=3-4= 16uH Min. @100KHz/0.1V                     |
|              | 8-7= 7uH Min. @100KHz/0.1V                          |
|              | 6-5= 63uH Min. @100KHz/0.1V                         |
| Hi-Pot :     | 4000VAC 2mA 6S                                      |
| Turns Ratio: | 1-2:3-4:8-7:6-5 = 3:3:2:6 ±5%                       |
| LK:          | 1-4 with (2-3,5-6-7-8) short 0.5uH Max @100KHz/0.1V |
| Cw/w         | 1-4 =40pF Max (short2-3,6-7) @100KHz/0.1V           |

**Schematic**

**Mechanical**



Unless otherwise specified, all tolerances are ±0.127mm