

Feature

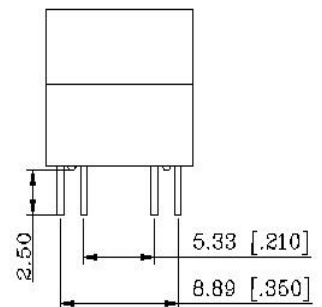
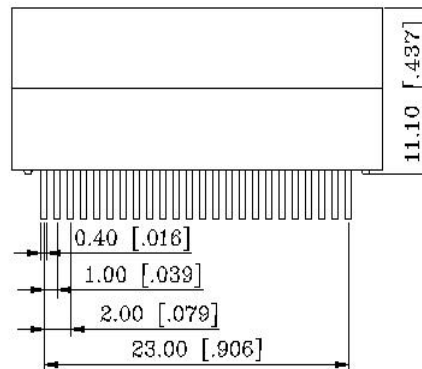
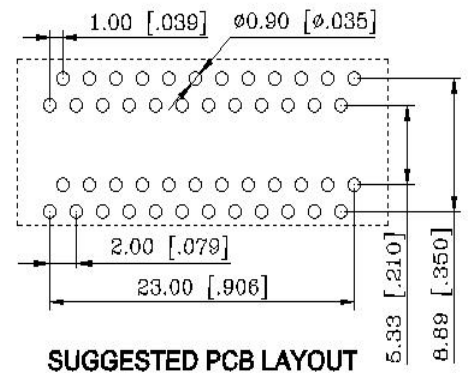
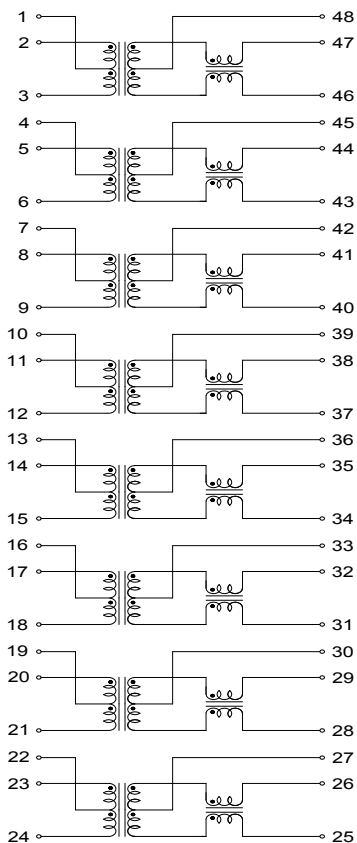
- 5G BASE-T Ethernet Magnetics
- Comply with RoHS requirements.
- Operating temperature range: 0°C to +70°C.

Electrical Specifications @ 25°C

OCL:	180uH Min. @100KHz/0.1V with 8mA DC Bias
Hi-POT :	1500Vrms
Turn Ratio:	1:1±3%
D.C.R:	1.0 ohm Max
Insertion Loss:	1.0dB Max@1-125MHz
	2.5dB Max@125-250MHz
Cross Talk :	30dB Min@1-250MHz
DM-CM Rejection	30dB Min@1-125MHz
	20dB Min@125~250MHz
CM-DM Rejection	30dB Min@1-125MHz
	20dB Min@125~250MHz
Return Loss:	16dB Min @1-40MHz
	16-10log(f/40MHz)dB Min@40-250MHz

Schematic

Mechanical



1.Unless otherwise specified, all tolerances are ±0.25[.01]

2.Unit mm[inch]