

Feature

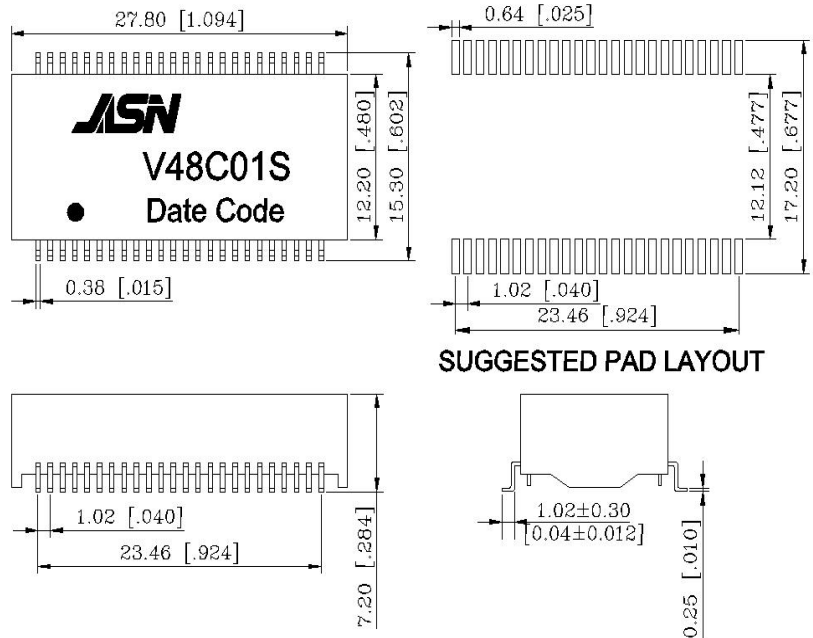
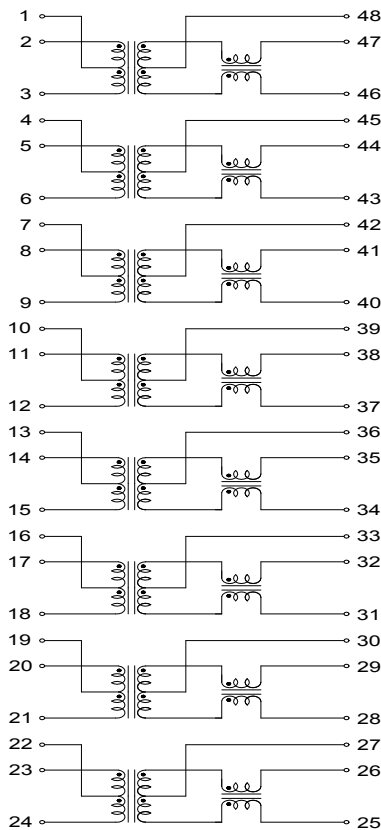
- Comply with RoHS requirements.
- Operating temperature range: 0°C to +70°C.
- Storage temperature range: 0°C to +85°C.

Electrical Specifications @ 25°C

OCL:	180uH Min. @100KHz/0.1V with 8mA DC Bias
Hi-POT :	1500Vrms
Turn Ratio:	1:1±3%
D.C.R:	1.0 ohm Max
Insertion Loss:	1.0dB Max@1-100MHz
	1.5dB Max@125MHz
Cross Talk :	30dB Min@1-125MHz
DM-CM Rejection	35dB Min@1-125MHz
CM-CM Rejection	30dB Min@1-200MHz
Return Loss:	18dB Min @1-40MHz
	18-15log(f/40MHz)dB Min@40-200MHz

Schematic

Mechanical



1. Unless otherwise specified, all tolerances are ±0.25[0.01]
2. Coplanarity: 0.1[0.004]
3. Unit mm[inch]