

Feature

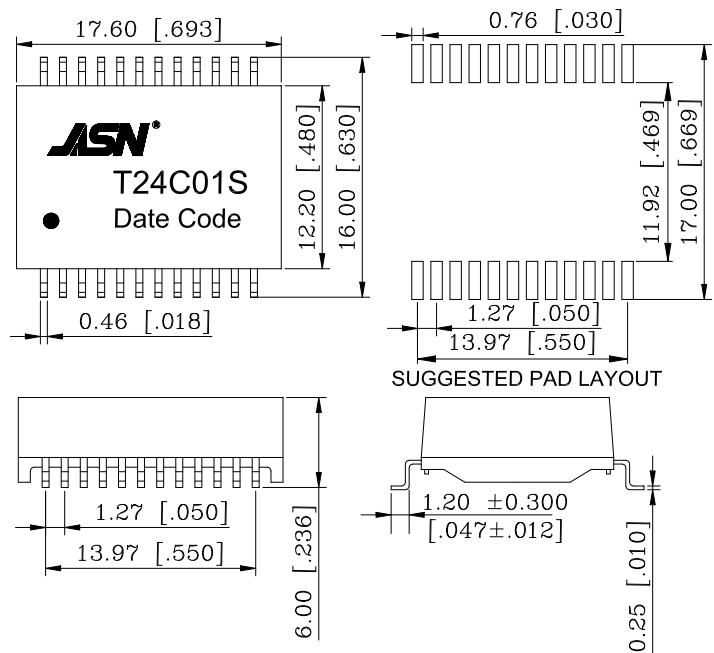
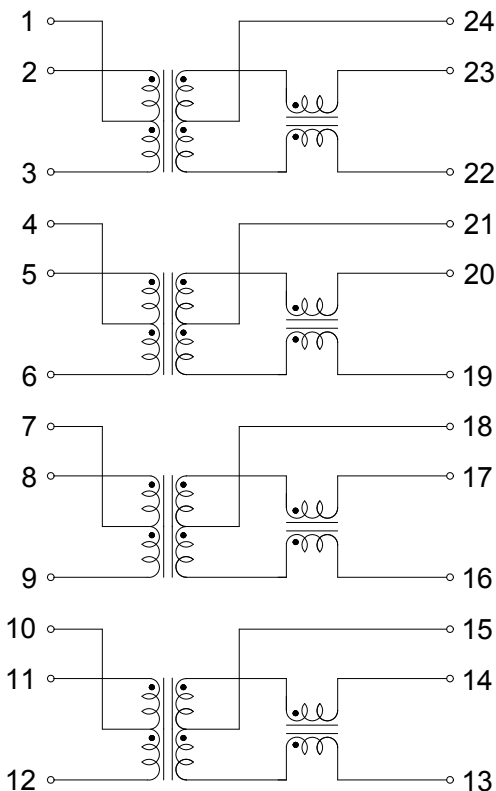
- Suitable for POE applications.
- 10G BASE-T Ethernet Magnetics
- Comply with ROHS requirements.
- Operating temperature range: 0°C to +70°C.
- Storage temperature range: -20°C to +125°C.

Electrical Specifications @ 25°C

OCL:	120uH Min. @100KHz/0.1V with 8mA DC Bias			
Hi-POT :	1500Vrms			
Turn Ratio:	1:1±3%			
LK:	0.5uH Max @100KHz/0.2V			
Cw/w	35PF Max @100KHz/0.2V			
D.C.R:	1.2 ohm Max			
Insertion Loss:	1MHz	2-100MHz	100-350MHz	350-500MHz
	-0.4dB Max	-1dB Max	-1.5dB Max	-2dB Max
Cross Talk :	1-500MHz: -30dB Min			
Return Loss:	1-40MHz		40-500MHz	
	-18dB Min		-17+ 10*LOG(f/40) dB Min	

Schematic

Mechanical



Unless otherwise specified, all tolerances are ±0.25

Feature

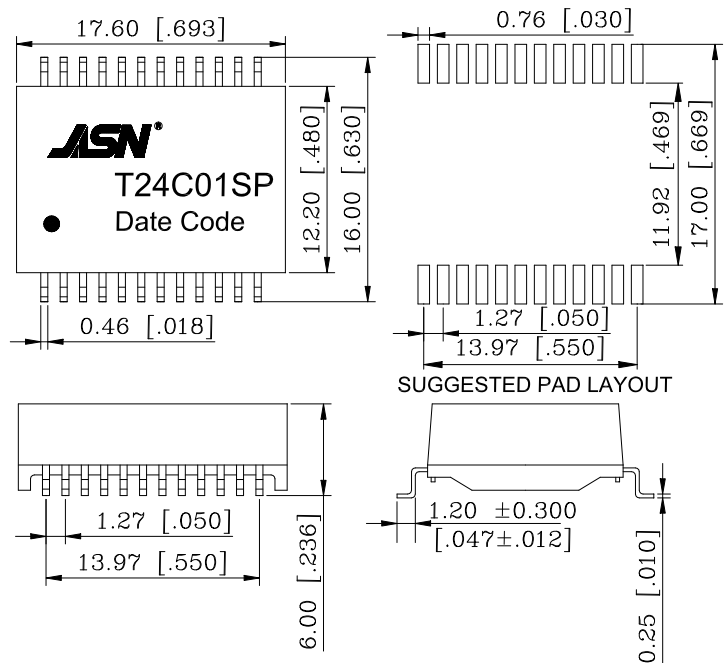
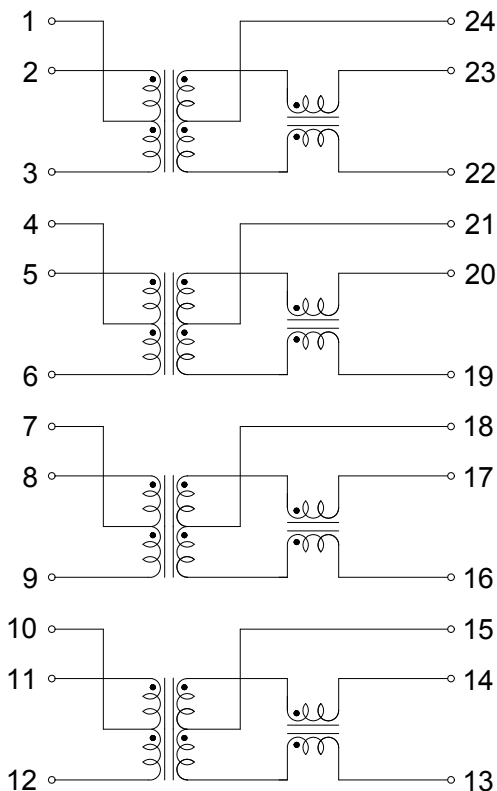
- Suitable for POE+&UPOE applications.
- 10G BASE-T Ethernet Magnetics
- Comply with ROHS requirements.
- Operating temperature range: 0°C to +70°C.
- Storage temperature range: -20°C to +125°C.

Electrical Specifications @ 25°C

OCL:	120uH Min. @100KHz/0.1V with 8mA DC Bias			
Hi-POT :	1500Vrms			
Turn Ratio:	1:1±3%			
LK:	0.5uH Max @100KHz/0.2V			
Cw/w	35PF Max @100KHz/0.2V			
D.C.R:	1.2 ohm Max			
Insertion Loss:	1MHz	2-100MHz	100-350MHz	350-500MHz
	-0.4dB Max	-1dB Max	-1.5dB Max	-2dB Max
Cross Talk :	1-500MHz: -30dB Min			
Return Loss:	1-40MHz		40-500MHz	
	-18dB Min		-17+ 10*LOG(f/40) dB Min	

Schematic

Mechanical



Unless otherwise specified, all tolerances are ±0.25

Feature

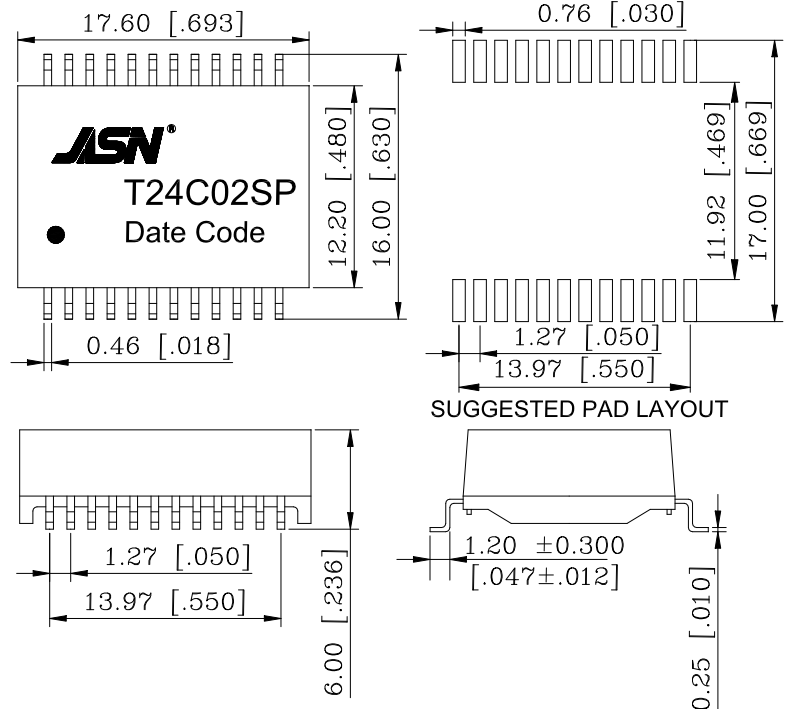
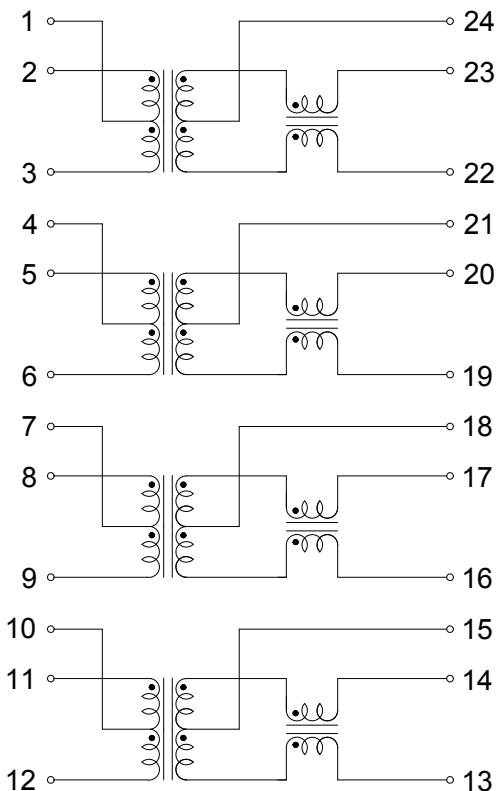
- Suitable for POH applications with 1.15A current capability.
- 10G BASE-T Ethernet Magnetics
- Comply with ROHS requirements.
- Operating temperature range: 0°C to +70°C.
- Storage temperature range: -20°C to +125°C.

Electrical Specifications @ 25°C

OCL:	120uH Min. @100KHz/0.1V with 8mA DC Bias			
Hi-POT :	1500Vrms			
Turn Ratio:	1:1±3%			
LK:	0.5uH Max @100KHz/0.2V			
Cw/w	35PF Max @100KHz/0.2V			
D.C.R:	1.2 ohm Max			
Insertion Loss:	1MHz	2-100MHz	100-350MHz	350-500MHz
	-0.4dB Max	-1dB Max	-1.5dB Max	-2dB Max
Cross Talk :	1-500MHz: -30dB Min			
Return Loss:	1-40MHz		40-500MHz	
	-18dB Min		-17+ 10*LOG(f/40) dB Min	

Schematic

Mechanical



Unless otherwise specified, all tolerances are ±0.25

Feature

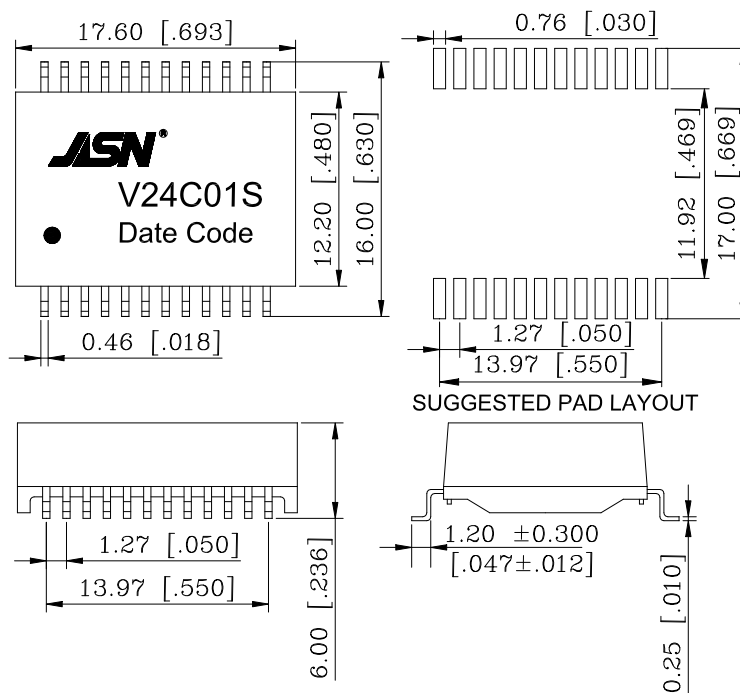
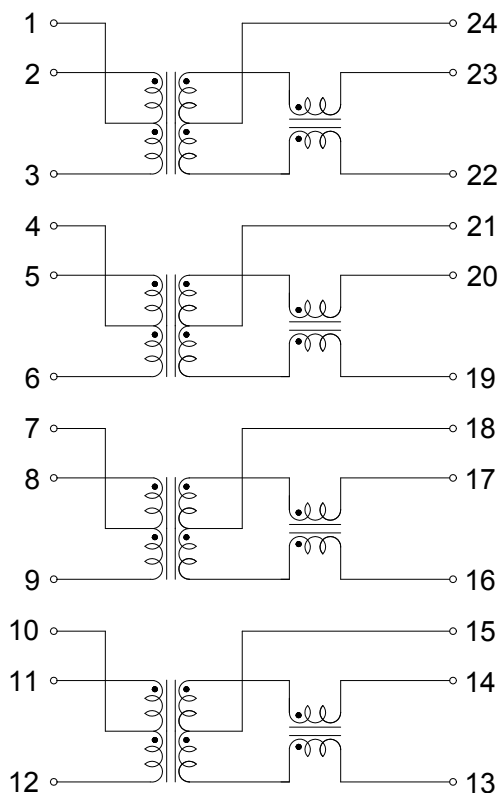
- Suitable for POE applications.
- 2.5G BASE-T Ethernet Magnetics.
- Comply with ROHS requirements.
- Operating temperature range: 0°C to +70°C.
- Storage temperature range: -20°C to +125°C.

Electrical Specifications @ 25°C

OCL:	120uH Min. @100KHz/0.1V with 8mA DC Bias		
Hi-POT :	1500Vrms		
Turn Ratio:	1:1±3%		
LK:	0.5uH Max @100KHz/0.2V		
Cw/w	35PF Max @100KHz/0.2V		
D.C.R:	1.2 ohm Max		
Insertion Loss:	1MHz	2-100MHz	100-250MHz
	-0.4dB Max	-1dB Max	-1.5dB Max
Cross Talk :	1-250MHz: -30dB Min		
Return Loss:	1-40MHz	40-250MHz	
	-18dB Min	-17+ 10*LOG(f/40) dB Min	

Schematic

Mechanical



Unless otherwise specified, all tolerances are ±0.25

Feature

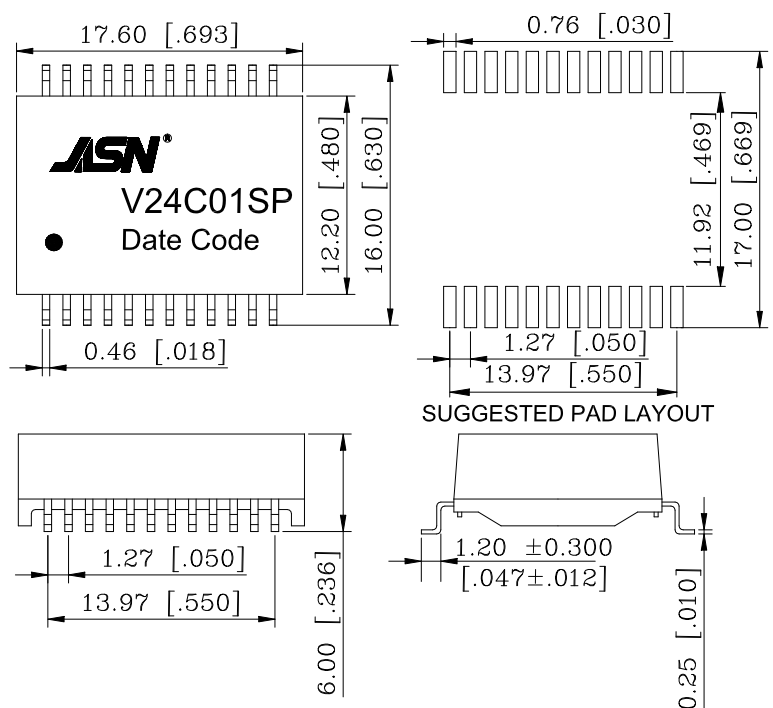
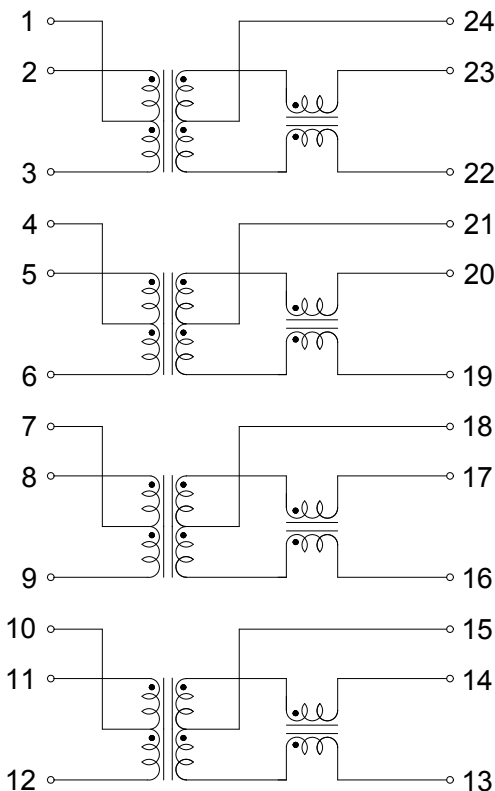
- Suitable for POE+ and UPOE applications.
- 2.5G BASE-T Ethernet Magnetics.
- Comply with ROHS requirements.
- Operating temperature range: 0°C to +70°C.
- Storage temperature range: -20°C to +125°C.

Electrical Specifications @ 25°C

OCL:	120uH Min. @100KHz/0.1V with 8mA DC Bias		
Hi-POT :	1500Vrms		
Turn Ratio:	1:1±3%		
LK:	0.5uH Max @100KHz/0.2V		
Cw/w	35PF Max @100KHz/0.2V		
D.C.R:	1.2 ohm Max		
Insertion Loss:	1MHz	2-100MHz	100-250MHz
	-0.4dB Max	-1dB Max	-1.5dB Max
Cross Talk :	1-250MHz: -30dB Min		
Return Loss:	1-40MHz	40-250MHz	
	-18dB Min	-17+ 10*LOG(f/40) dB Min	

Schematic

Mechanical



Unless otherwise specified, all tolerances are ±0.25

Feature

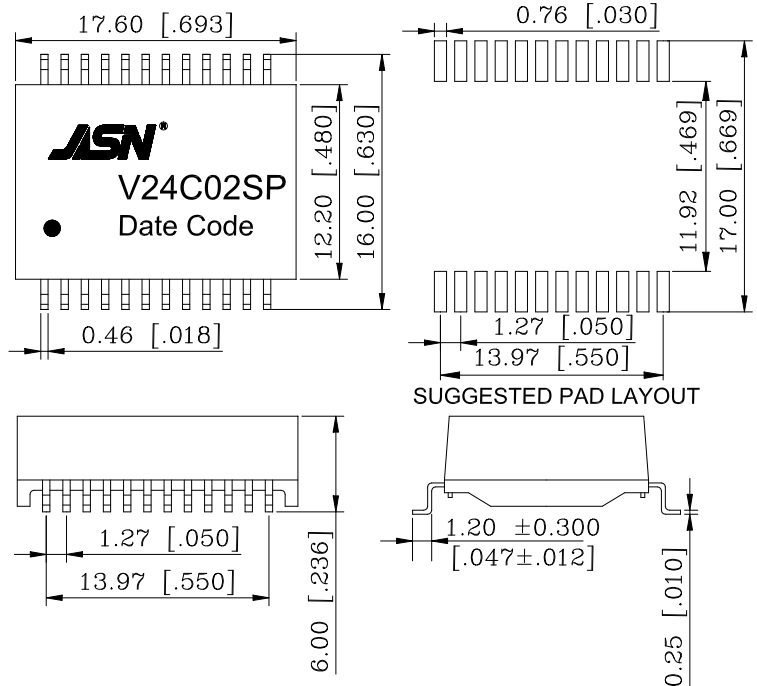
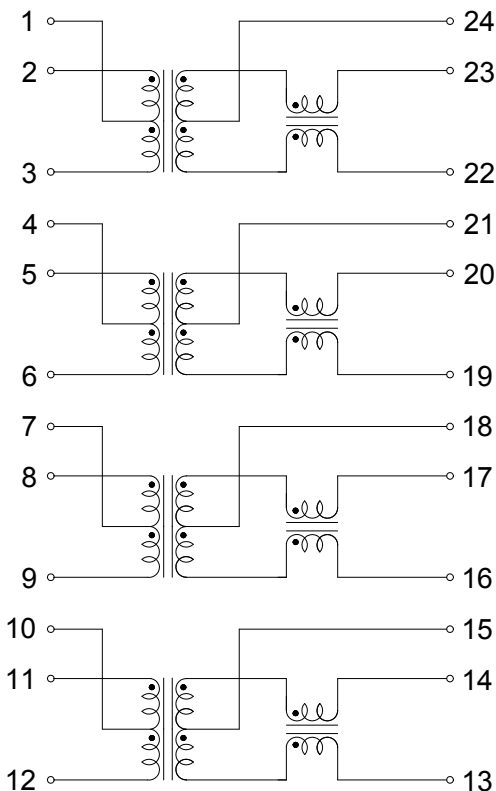
- Suitable for POH applications with 1.15A current capability.
- 2.5G BASE-T Ethernet Magnetics.
- Comply with ROHS requirements.
- Operating temperature range: 0°C to +70°C.
- Storage temperature range: -20°C to +125°C.

Electrical Specifications @ 25°C

OCL:	120uH Min. @100KHz/0.1V with 8mA DC Bias		
Hi-POT :	1500Vrms		
Turn Ratio:	1:1±3%		
LK:	0.5uH Max @100KHz/0.2V		
Cw/w	35PF Max @100KHz/0.2V		
D.C.R:	1.2 ohm Max		
Insertion Loss:	1MHz	2-100MHz	100-250MHz
	-0.4dB Max	-1dB Max	-1.5dB Max
Cross Talk :	1-250MHz: -30dB Min		
Return Loss:	1-40MHz	40-250MHz	
	-18dB Min	-17+ 10*LOG(f/40) dB Min	

Schematic

Mechanical



Unless otherwise specified, all tolerances are ±0.25

Feature

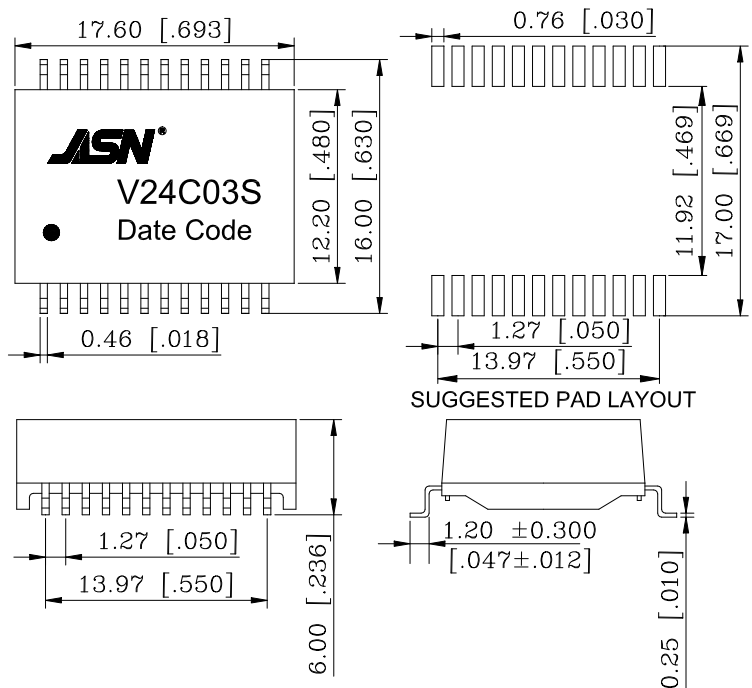
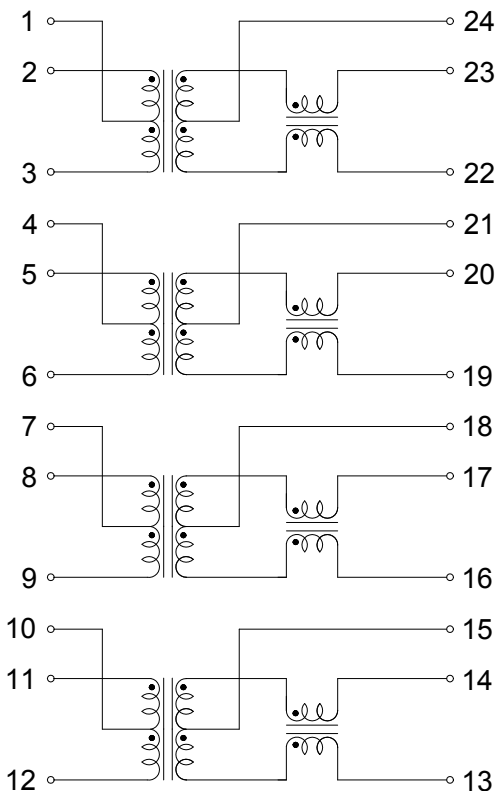
- Suitable for POE applications.
- 5G BASE-T Ethernet Magnetics.
- Comply with ROHS requirements.
- Operating temperature range: 0°C to +70°C.
- Storage temperature range: -20°C to +125°C.

Electrical Specifications @ 25°C

OCL:	120uH Min. @100KHz/0.1V with 8mA DC Bias		
Hi-POT :	1500Vrms		
Turn Ratio:	1:1±3%		
LK:	0.5uH Max @100KHz/0.2V		
Cw/w	35PF Max @100KHz/0.2V		
D.C.R:	1.2 ohm Max		
Insertion Loss:	1MHz	2-100MHz	100-350MHz
	-0.4dB Max	-1dB Max	-1.5dB Max
Cross Talk :	1-350MHz: -30dB Min		
Return Loss:	1-40MHz	40-350MHz	
	-18dB Min	-17+ 10*LOG(f/40) dB Min	

Schematic

Mechanical



Unless otherwise specified, all tolerances are ±0.25

Feature

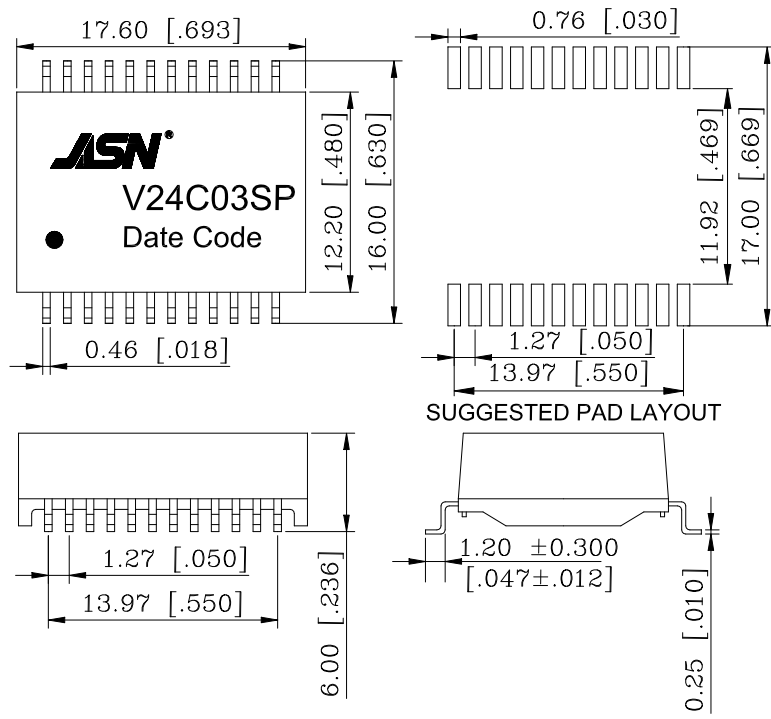
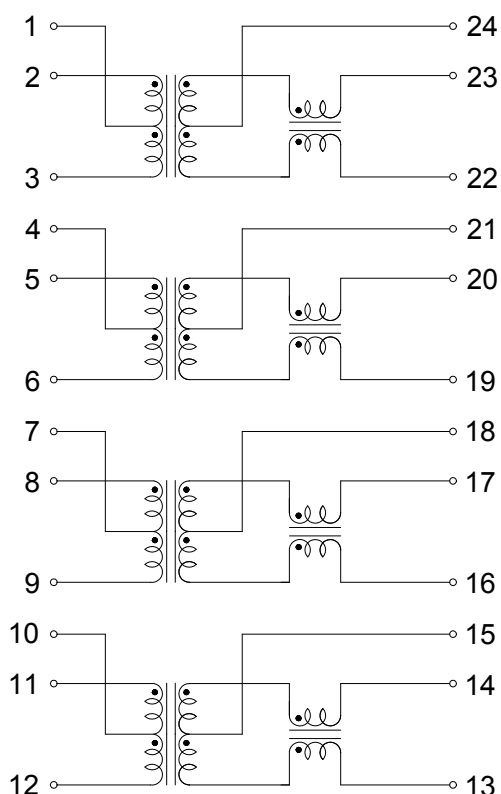
- Suitable for POE+&UPOE applications.
- 5G BASE-T Ethernet Magnetics.
- Comply with ROHS requirements.
- Operating temperature range: 0°C to +70°C.
- Storage temperature range: -20°C to +125°C.

Electrical Specifications @ 25°C

OCL:	120uH Min. @100KHz/0.1V with 8mA DC Bias		
Hi-POT :	1500Vrms		
Turn Ratio:	1:1±3%		
LK:	0.5uH Max @100KHz/0.2V		
Cw/w	35PF Max @100KHz/0.2V		
D.C.R:	1.2 ohm Max		
Insertion Loss:	1MHz	2-100MHz	100-350MHz
	-0.4dB Max	-1dB Max	-1.5dB Max
Cross Talk :	1-350MHz: -30dB Min		
Return Loss:	1-40MHz	40-350MHz	
	-18dB Min	-17+ 10*LOG(f/40) dB Min	

Schematic

Mechanical



Unless otherwise specified, all tolerances are ±0.25

Feature

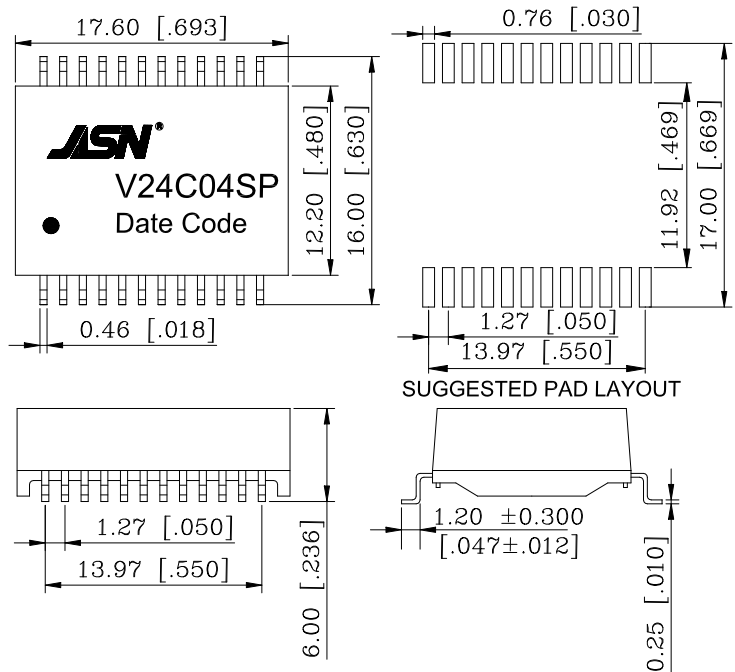
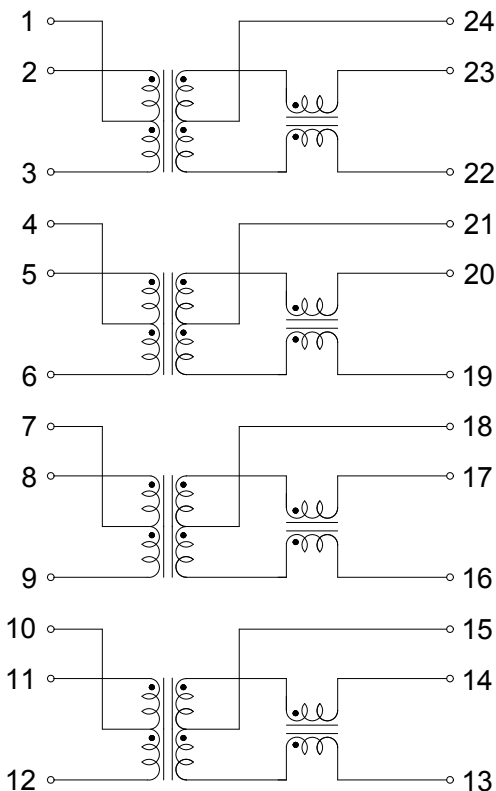
- Suitable for POH applications with 1.15A current capability.
- 5G BASE-T Ethernet Magnetics.
- Comply with ROHS requirements.
- Operating temperature range: 0°C to +70°C.
- Storage temperature range: -20°C to +125°C.

Electrical Specifications @ 25°C

OCL:	120uH Min. @100KHz/0.1V with 8mA DC Bias		
Hi-POT :	1500Vrms		
Turn Ratio:	1:1±3%		
LK:	0.5uH Max @100KHz/0.2V		
Cw/w	35PF Max @100KHz/0.2V		
D.C.R:	1.2 ohm Max		
Insertion Loss:	1MHz	2-100MHz	100-350MHz
	-0.4dB Max	-1dB Max	-1.5dB Max
Cross Talk :	1-350MHz: -30dB Min		
Return Loss:	1-40MHz	40-350MHz	
	-18dB Min	-17+ 10*LOG(f/40) dB Min	

Schematic

Mechanical



Unless otherwise specified, all tolerances are ±0.25

Feature

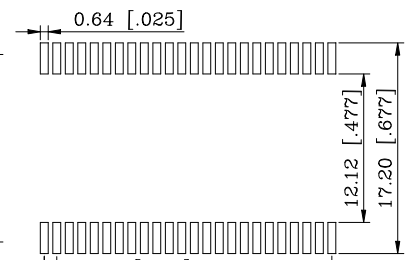
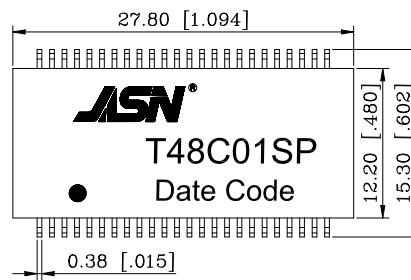
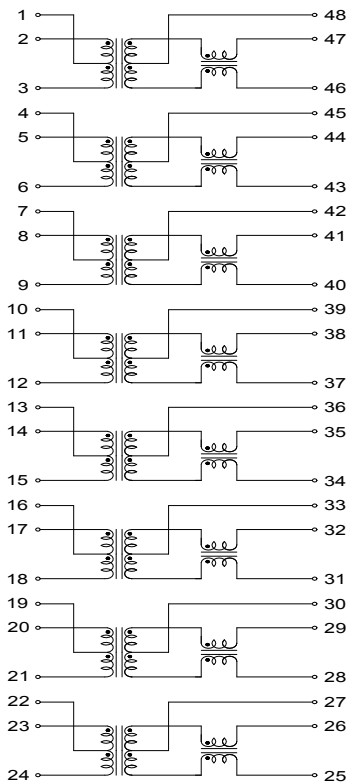
- Suitable for POE+&UPOE applications.
- 10G BASE-T Ethernet Magnetics
- Comply with ROHS requirements.
- Operating temperature range: 0°C to +70°C.
- Storage temperature range: -20°C to +125°C.

Electrical Specifications @ 25°C

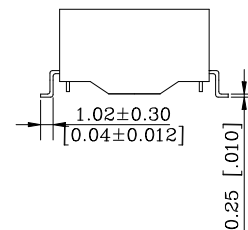
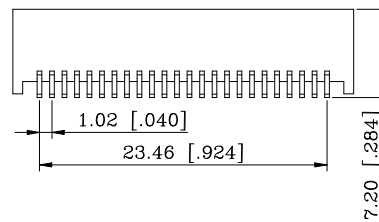
OCL:	120uH Min. @100KHz/0.1V with 8mA DC Bias			
Hi-POT :	1500Vrms			
Turn Ratio:	1:1±3%			
LK:	0.5uH Max @100KHz/0.2V			
Cw/w	35PF Max @100KHz/0.2V			
D.C.R:	1.2 ohm Max			
Insertion Loss:	1MHz	2-100MHz	100-350MHz	350-500MHz
	-0.4dB Max	-1dB Max	-1.5dB Max	-2dB Max
Cross Talk :	1-500MHz: -30dB Min			
Return Loss:	1-40MHz		40-500MHz	
	-18dB Min		-17+ 10*LOG(f/40) dB Min	

Schematic

Mechanical



SUGGESTED PAD LAYOUT



Unless otherwise specified, all tolerances are ±0.25

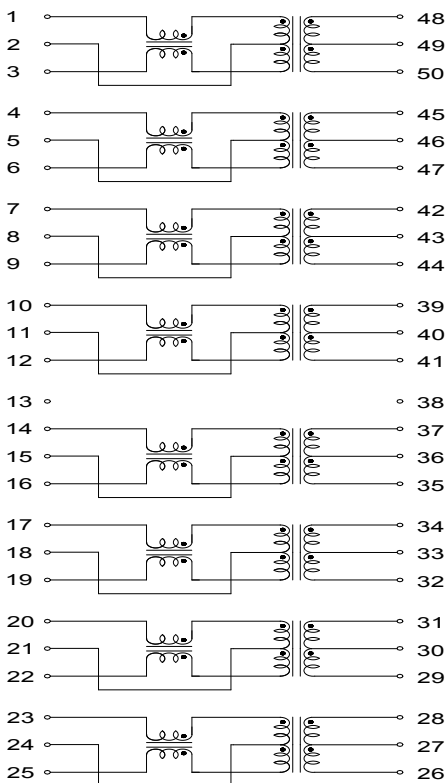
Feature

- Suitable for End-span POE+ applications with 1A current capability.
- 2.5G BASE-T Ethernet Magnetics.
- Comply with ROHS requirements.
- Operating temperature range: -40°C to +85°C.
- Storage temperature range: -40°C to +125°C.

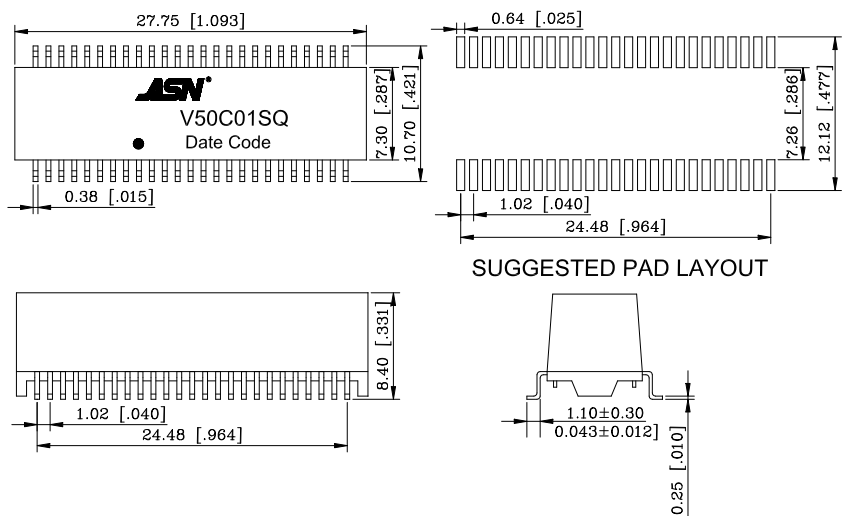
Electrical Specifications @ 25°C

OCL:	120uH Min. @100KHz/0.1V with 8mA DC Bias		
Hi-POT :	1500Vrms		
Turn Ratio:	1:1±3%		
LK:	0.5uH Max @100KHz/0.2V		
Cw/w	35PF Max @100KHz/0.2V		
D.C.R:	1.2 ohm Max		
Insertion Loss:	1MHz	2-100MHz	100-250MHz
	-0.4dB Max	-1dB Max	-1.5dB Max
Cross Talk :	1-250MHz: -30dB Min		
Return Loss:	1-40MHz	40-250MHz	
	-18dB Min	-17+ 10*LOG(f/40) dB Min	

Schematic



Mechanical



Unless otherwise specified, all tolerances are ±0.25